

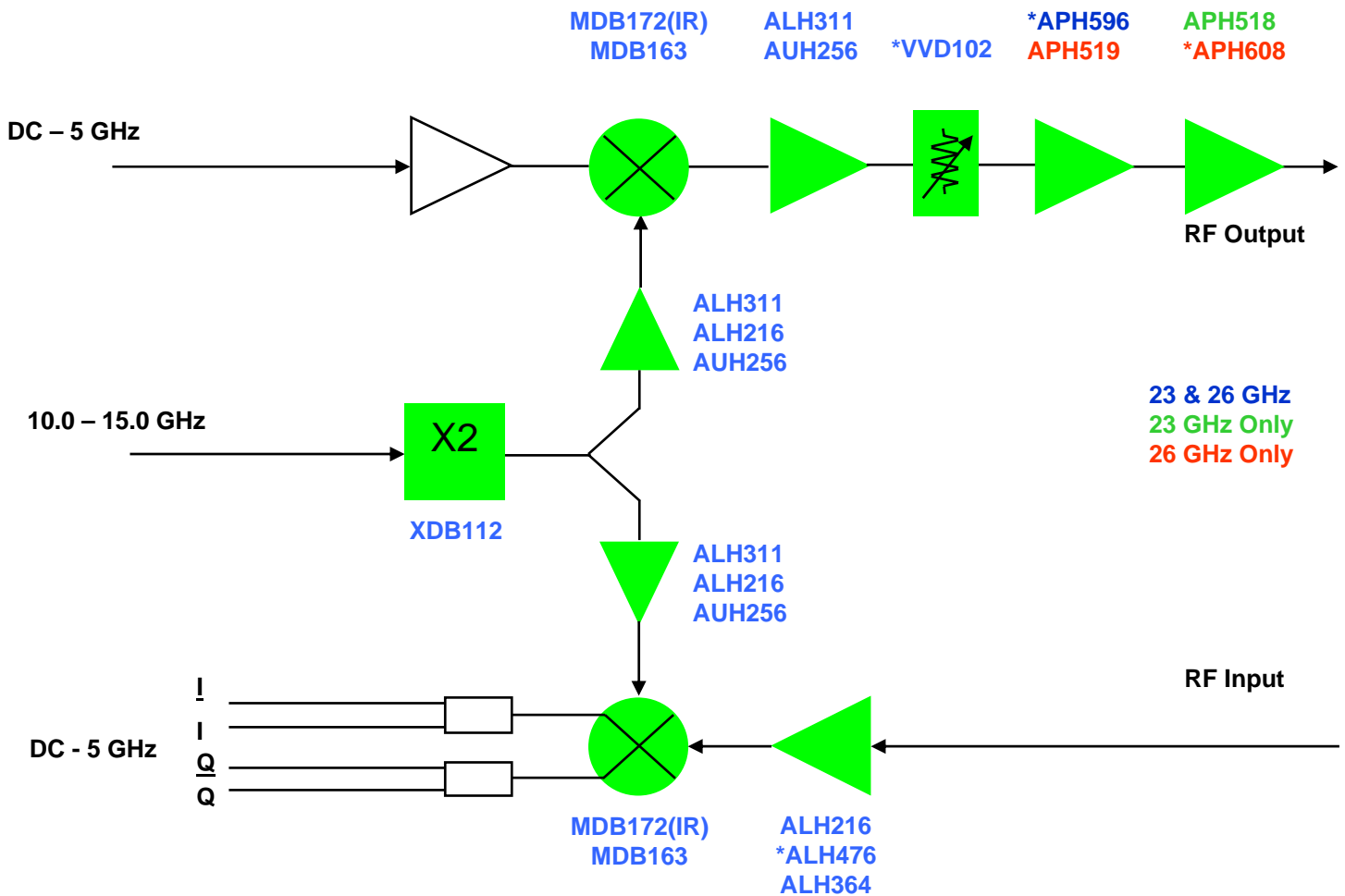


Features

- 2 - 2.7 dB LNA noise figure
- 29 dBm P1dB PA output power
- 38 dBm OIP3
- 18 dB of dynamic range with VVD102
- 23 sq mm total GaAs area
- Sub-harmonic option

Applications

- PTP/PMP digital radios



* New Product

The products represented by this brochure are subject to U.S. Export Law as contained in ITAR or the EAR regulations.