

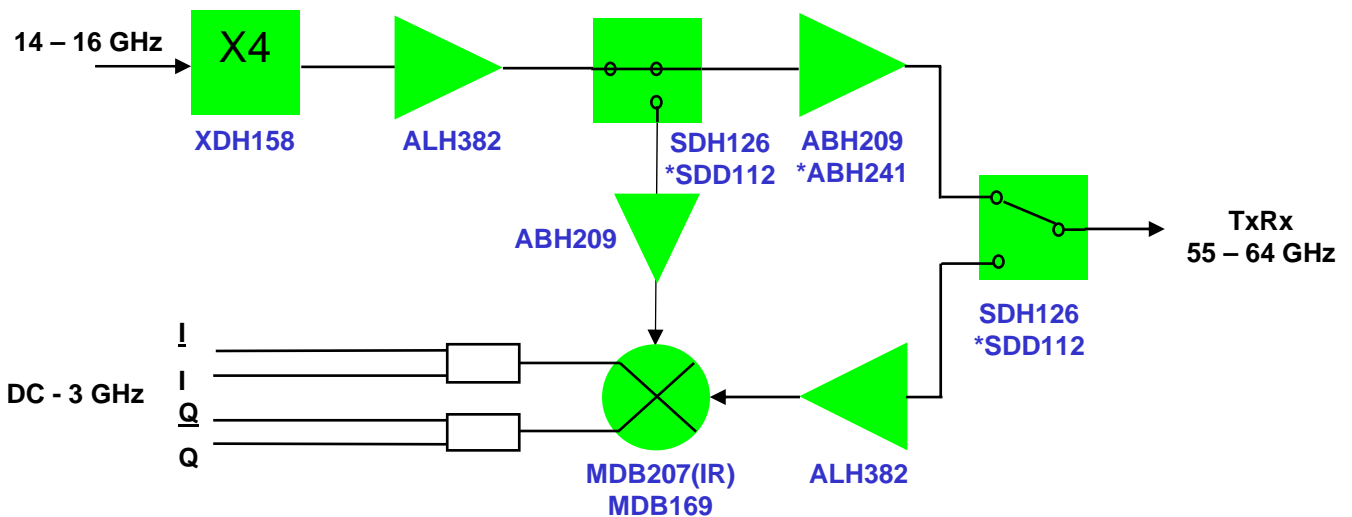


**Features**

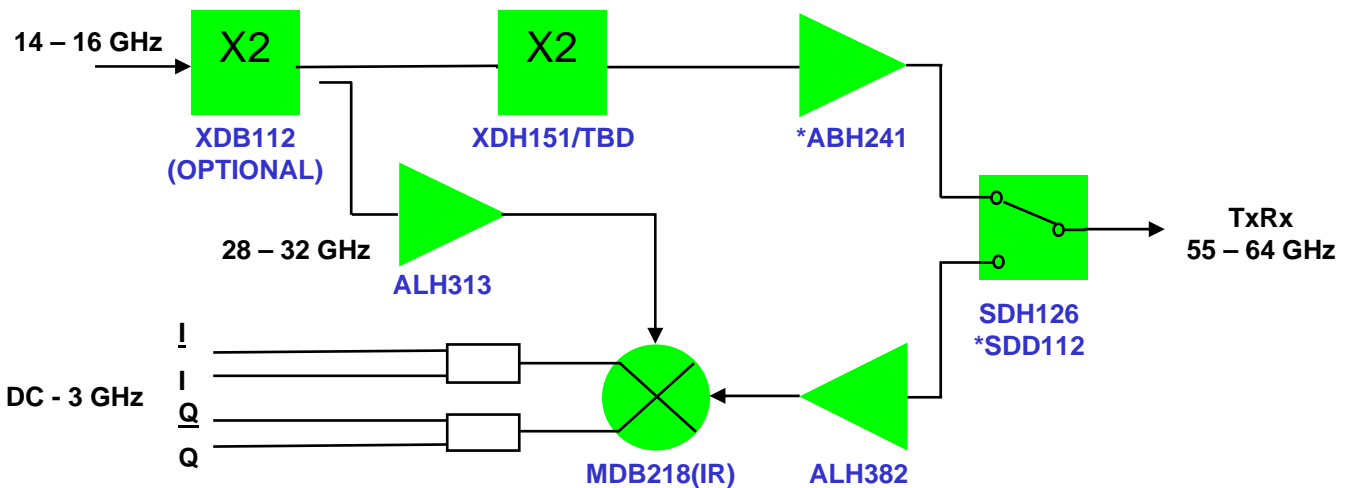
- <4 dB LNA noise figure
- 18 dBm Psat PA output power
- Sub-Harmonic option
- 17 sq mm total GaAs area
- Production quantities available NOW

**Applications**

- Short haul high capacity links
- Picocell mobile phone links
- Network backbone and branch links
- HD Wireless



**Sub-Harmonic Option**



\* New Product

The products represented by this brochure are subject to U.S. Export Law as contained in ITAR or the EAR regulations.