

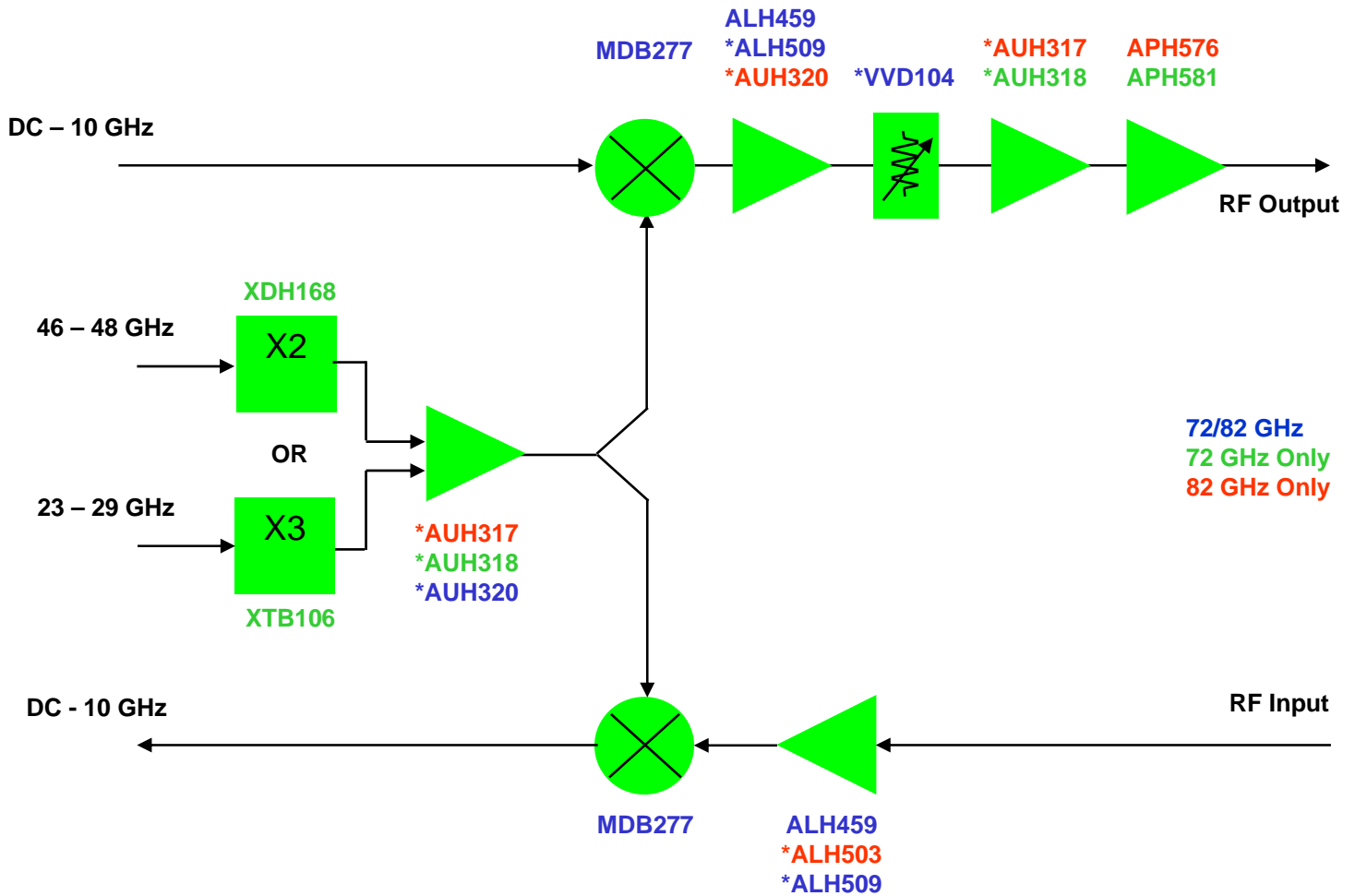


Features

- TxRx: 71 to 76 GHz and 81 to 86 GHz
- <5 dB LNA noise figure
- 20 dBm P1dB PA output power
- 13 dB of dynamic range with VVD104
- Production quantities available NOW

Applications

- Short haul high capacity links
- Picocell mobile phone links
- Network backbone and branch links



* New Product

The products represented by this brochure are subject to U.S. Export Law as contained in ITAR or the EAR regulations.